

L2E & L2E Premium Assembly & Setup Guide



**Scan QR Code for Full
Video Instructions**

*Use the QR codes
throughout this guide
for instant access to
helpful videos*

Thank you for putting your trust in KECO!

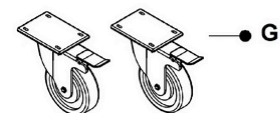
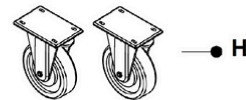
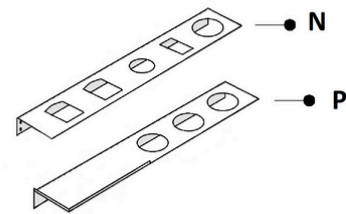
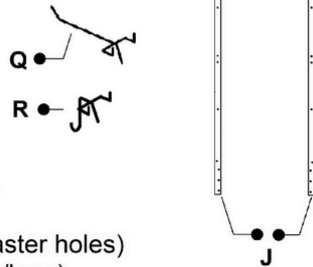
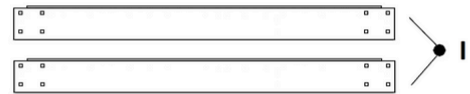
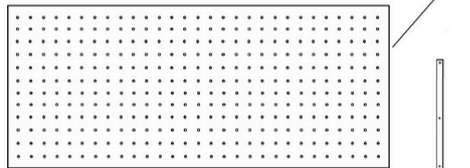
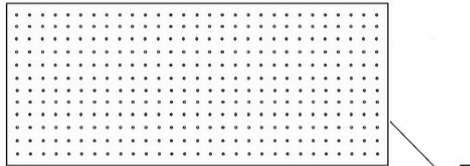
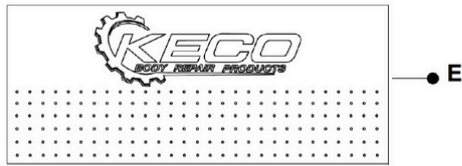
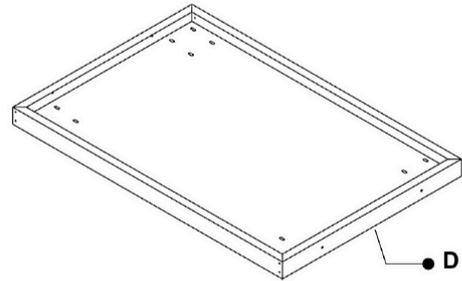
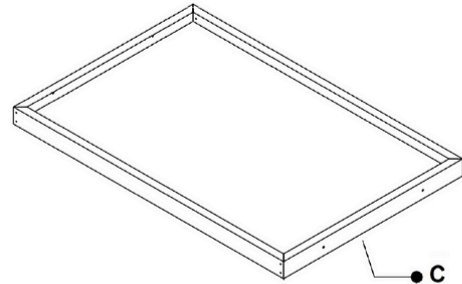
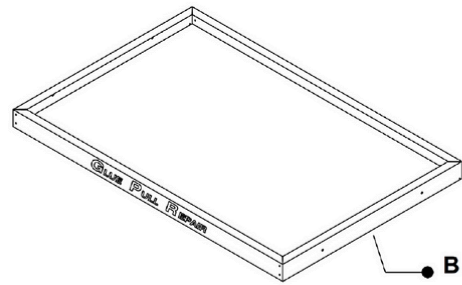
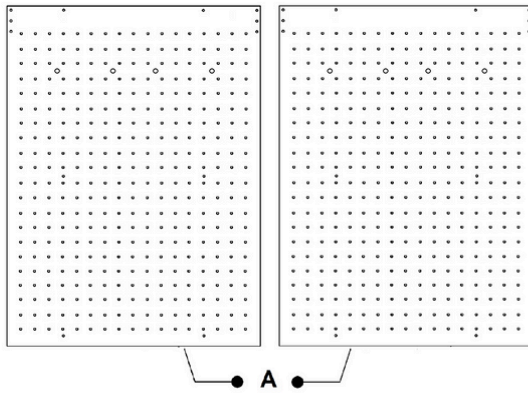
This document aims to help you set up your new system to achieve successful glue pulling with efficiency and organization. KECO's Premium L2E and L2E GPR systems facilitates repairs in today's least invasive method available to technicians.

Follow the assembly instructions below. Convenient QR codes will provide you with videos specific to sections of this document and the assembly. We urge you not to skip steps unless the content is not applicable to your system.

Step 1 Verify Packages & Components

- Depending on the system purchased, you will receive multiple packages:
 - a. Cart package
 - b. Shadow board - (1) package in round tube
 - c. Locking Top - consists of (2) packages
 - d. Main tools - (1) package - this contains all L2E and Premium L2E tools
 - e. Drawers with Populated TabPrints (*foam inserts*) - includes all tabs, tools, and accessories found in the top tray, drawer 1, and drawer 2 (*Premium L2E only*)
 - f. Premium specific tools - (1) package with K-Power Lateral Tension Tools (*Premium L2E only*)
 - g. Side K-Locker - (1) package (*if purchased with the Premium L2E*)

Cart Parts List



- A- Side panel
- B- Top shelf (w/logo)
- C- Center shelf
- D- Bottom shelf (w/caster holes)
- E- Top back panel (w/logo)
- F- Bottom & middle back panels
- G- Casters (swivel) Right side
- H- Casters (fixed) Left side
- I- Castor support brackets (2 pcs)
- J- Universal Back panel frame angle
- ** M6x12 Screw (50 pcs)
- M- M8 Carriage bolt, w/Flange nut for castors (16 pcs)
- N- Top tool holder
- O- Back panel tapping screw (16 pcs)
- P- Mid tool holder
- Q- Tool hanger (25 pcs)
- R- Slide hammer tool hanger (1 pc)

Step 2 Assemble Cart & Tool Holders



- 1) Place the cart sides on back (of cart) and lay pans in between to start screws (do not tighten)
- 2) Using the M6x12 screws, begin the assembly with **A & B** resting on their back edges (logo up) and install the screws - hand tight only as in detail 1 & 2 in Figure 1.
- 3) Repeat this process with **C & D** shelves.
- 4) Gently set the unit upright and install the rest of the screws loosely - finger tight only.
- 5) Place/locate all screws in cart with threaded inserts
- 6) Do not populate screw locations in back/top corners of cart - this is where we are going to install our vertical back brackets later

Helpful Hint:
Start with assembly as if the unit was laying on its back.

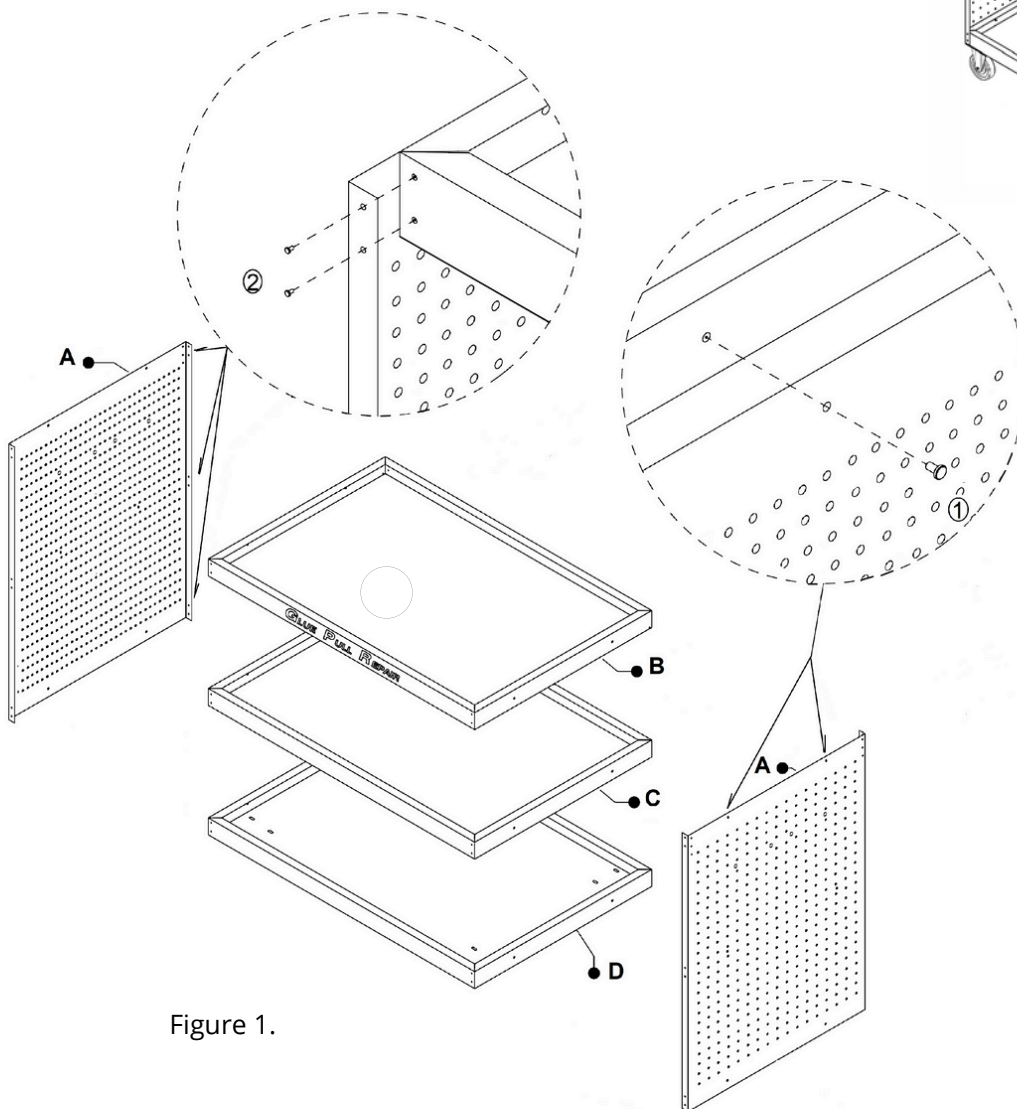
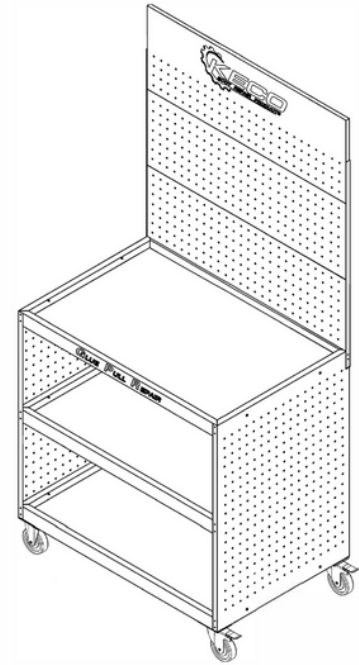


Figure 1.



Cart Assembly



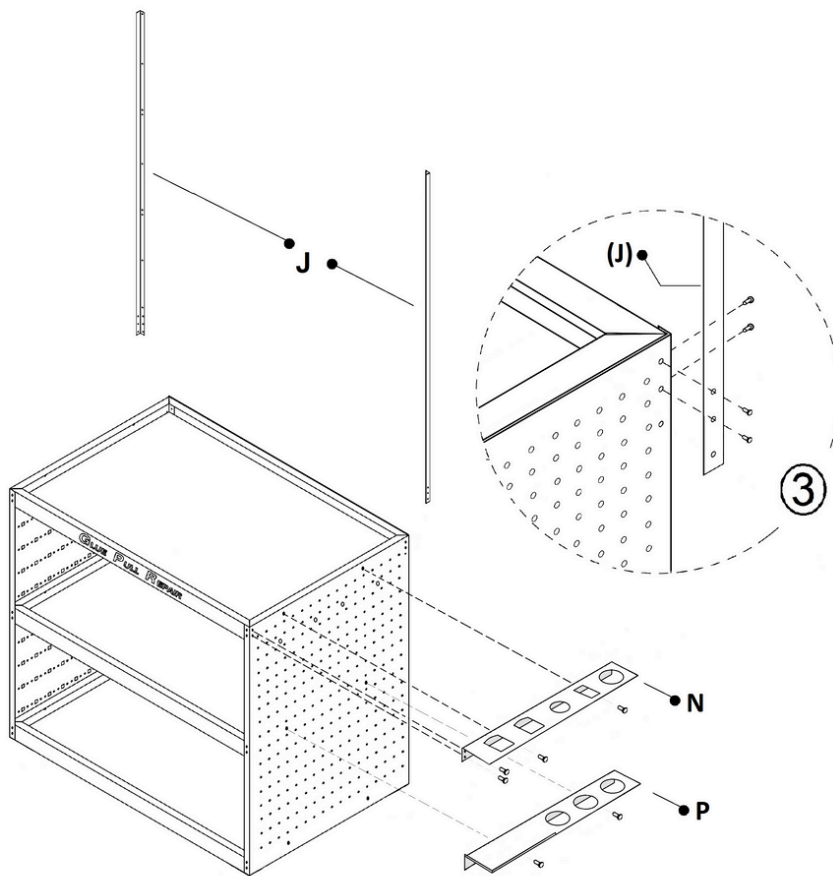
7) Stand cart upright and install (2) back panel supports **J** using screws **L** as illustrated in detail **3**

8) install the top tool holder at the top shelf location using the 4 (**L**) screws already located in the side of the cart

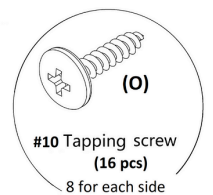
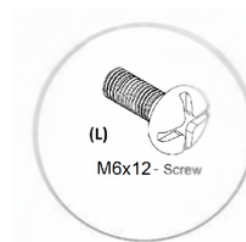
9) Install the middle tool holder at the mid shelf location using the 2 (**L**) screws already located in the side of the cart.

Now its time to tighten the screws:

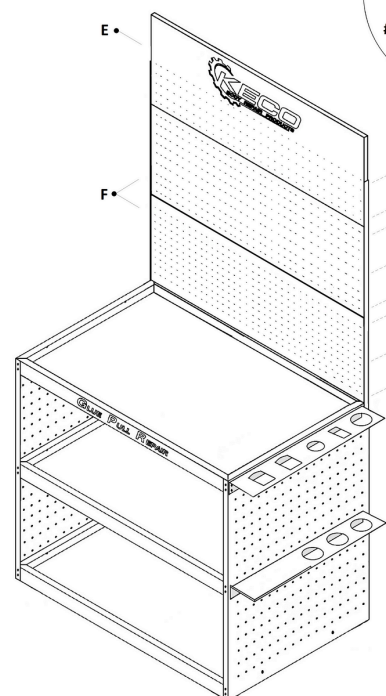
10) Once the screws are located through back panel angle brackets and top & mid tool holders on the right side of the cart, and the cart setting square, tighten all the (**L**) screws.



Helpful Hint:
Placing assembly on a solid flat surface prior to tightening screws - will help square the cart



11) Starting with bottom (**F**) back panel, position the panels between the frame and install tapping screws (**O**) through the frame and into the back panels until you have installed all 3 back panels



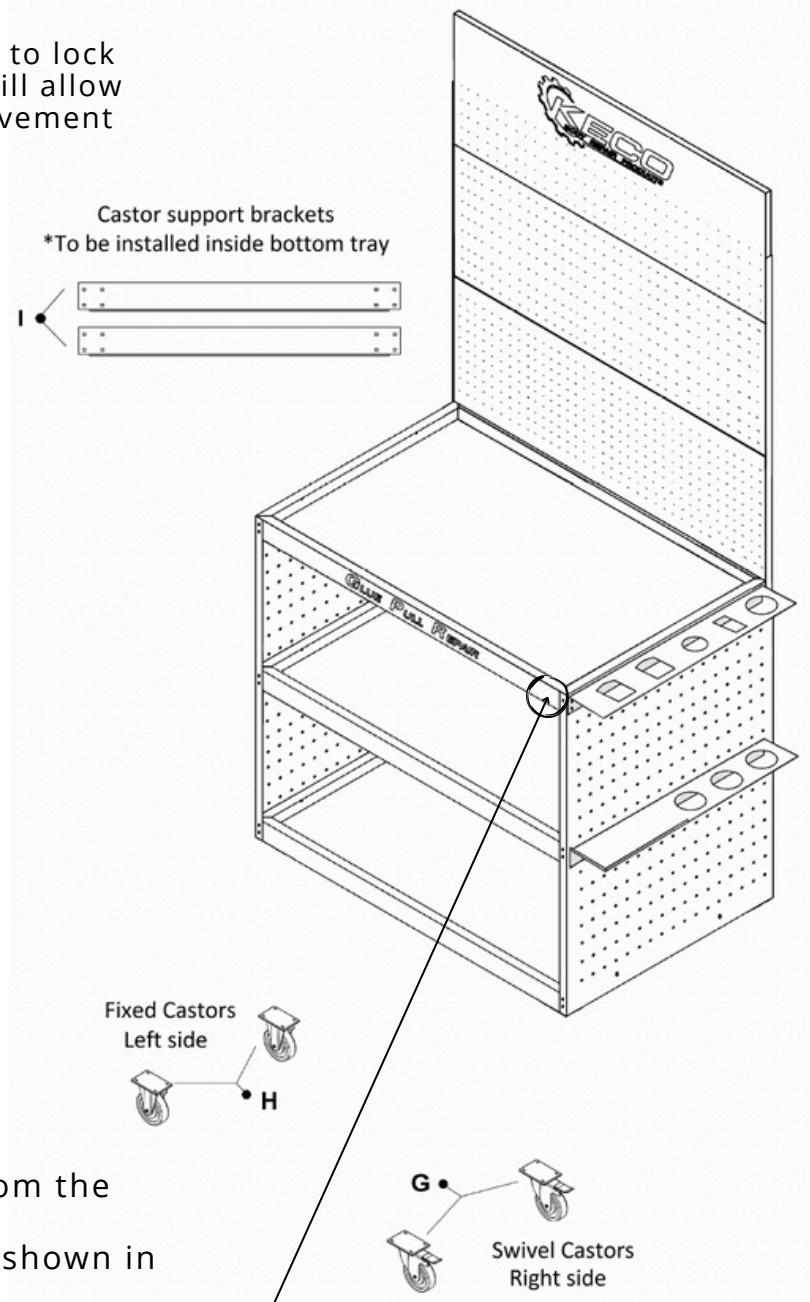
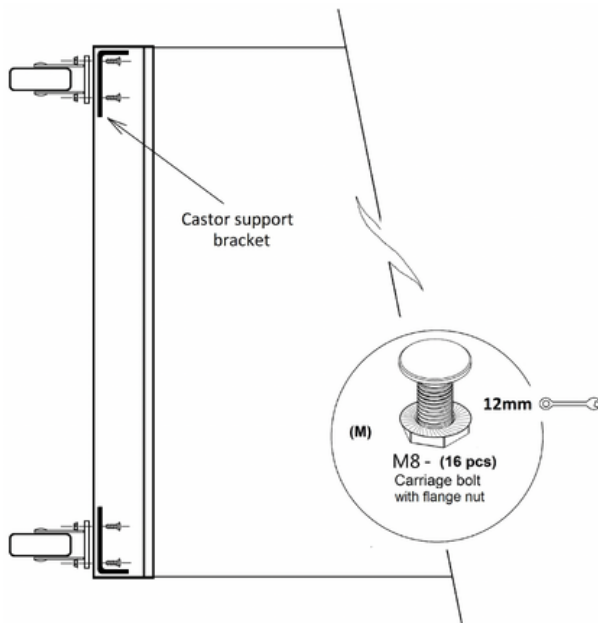
Install Casters



- 12) Carefully tilt the cart onto its back
- 13) With the cart safely on its back, loosely install the castors and castor brackets as shown in illustration below using the M8 carriage bolts and nuts
- 14) Once all bolts and nuts are installed, tightend nuts using **12mm** wrench

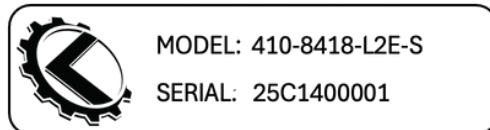
Helpful Hint:

Prior to standing cart upright be sure to lock the swivel castors horizontally. This will allow the cart to stand up with minimal movement while doing so.



Apply Serialized Nameplate:

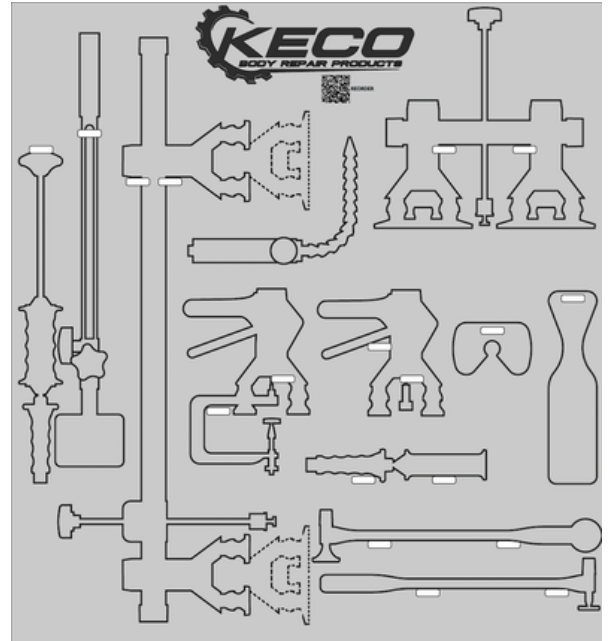
1. Clean the area with alcohol
2. Remove the adhesive backing from the nameplate
3. Apply the nameplate in location shown in Figure 1.
4. Record the serial number for your records





Step 3 Install the Shadow Board

- 1) Locate the carboard tube containing the magnetic shadow board
- 2) Start at the bottom of the cart backboard and align the bottom of the shadow board with the top edge of the cart
- 3) Proceed to unroll the magnetic sheet upwards on the panel
- 4) Make sure the openings in the shadow board reveal and align with (2) holes for the peg hooks
- 5) Install the peg hooks in the open spaces - note the special hook for the slide hammer installs in the top left location



Helpful Hint:

It is much easier to install the shadow board prior to the locking top, however it can be accomplished with locking top in place



Shadow Board Installation

Step 4 Install the Locking Top - Cart Enclosure

Helpful Hint:

There are no existing pilot holes in the cart for the locking top. Using an impact/drive will increase success with help with self-tapping the screws




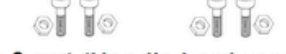


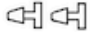



Locking Top Assembly









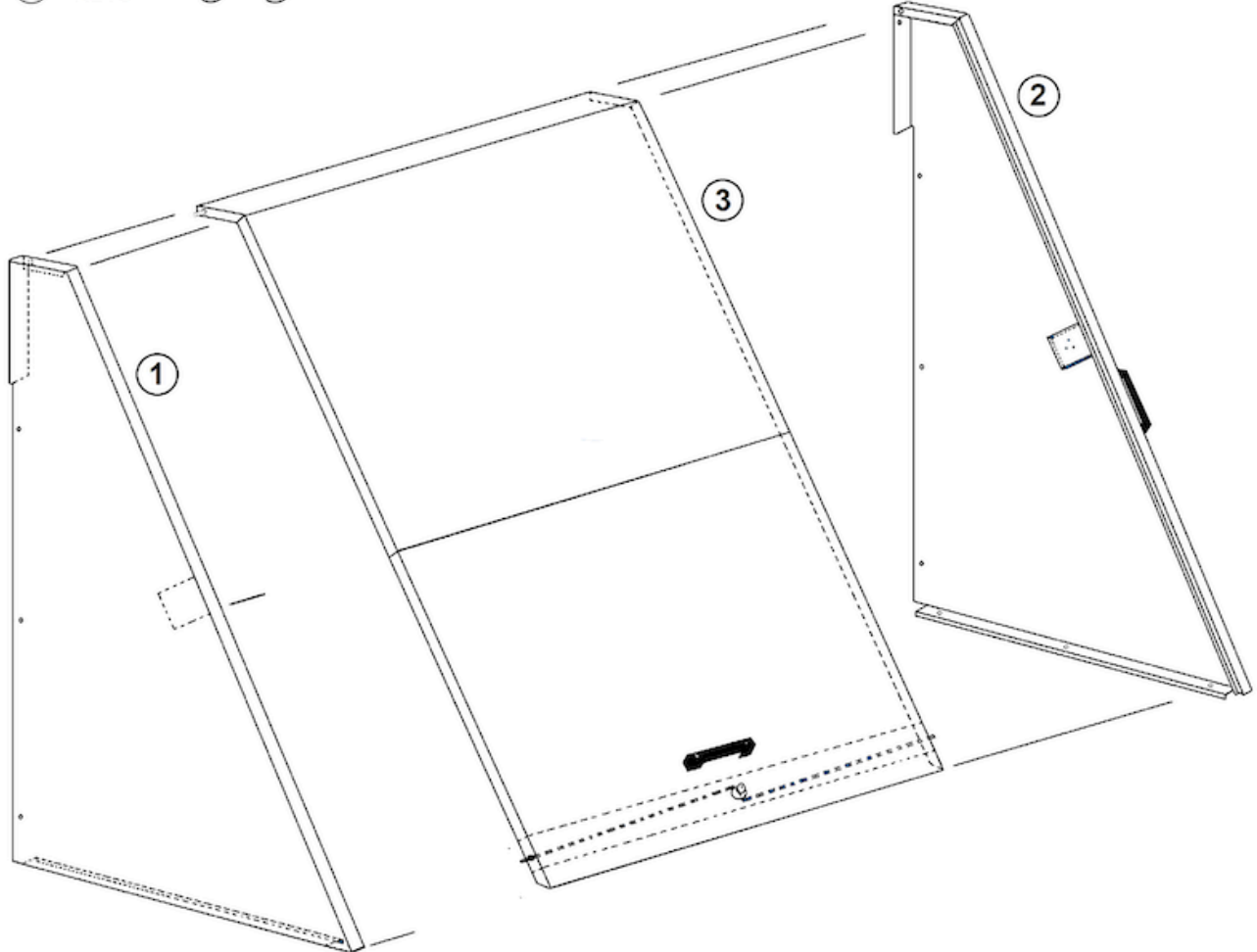


Locking Cart Enclosure Parts List

- ① Left side panel
- ② Right side panel
- ③ Lid assembly with lock & locking rods
- ④ Spring pin spindle washer (Lid spacers)
- ⑤ Gas lifters (for lid assembly)
 - 
 - 
- ⑥ Handles
 - 
 - 
- ⑦ M8 screw & nut (Handle hardware)
- ⑧ M4 x12 tapping screws (25 ea.) 
- ⑨ #10 sheet metal screws (2 ea.) 
- ⑩ Lid bumpers 
- ⑪ KEYS 

Tools Needed

- 14mm 
- 6mm hex key 
- #2 philips 
- 1/8" drill bit 
- For Frame angle side hole locations if needed.
- 5/16" Drill bit 
- For side panel ② handle location if needed.
- Drill 

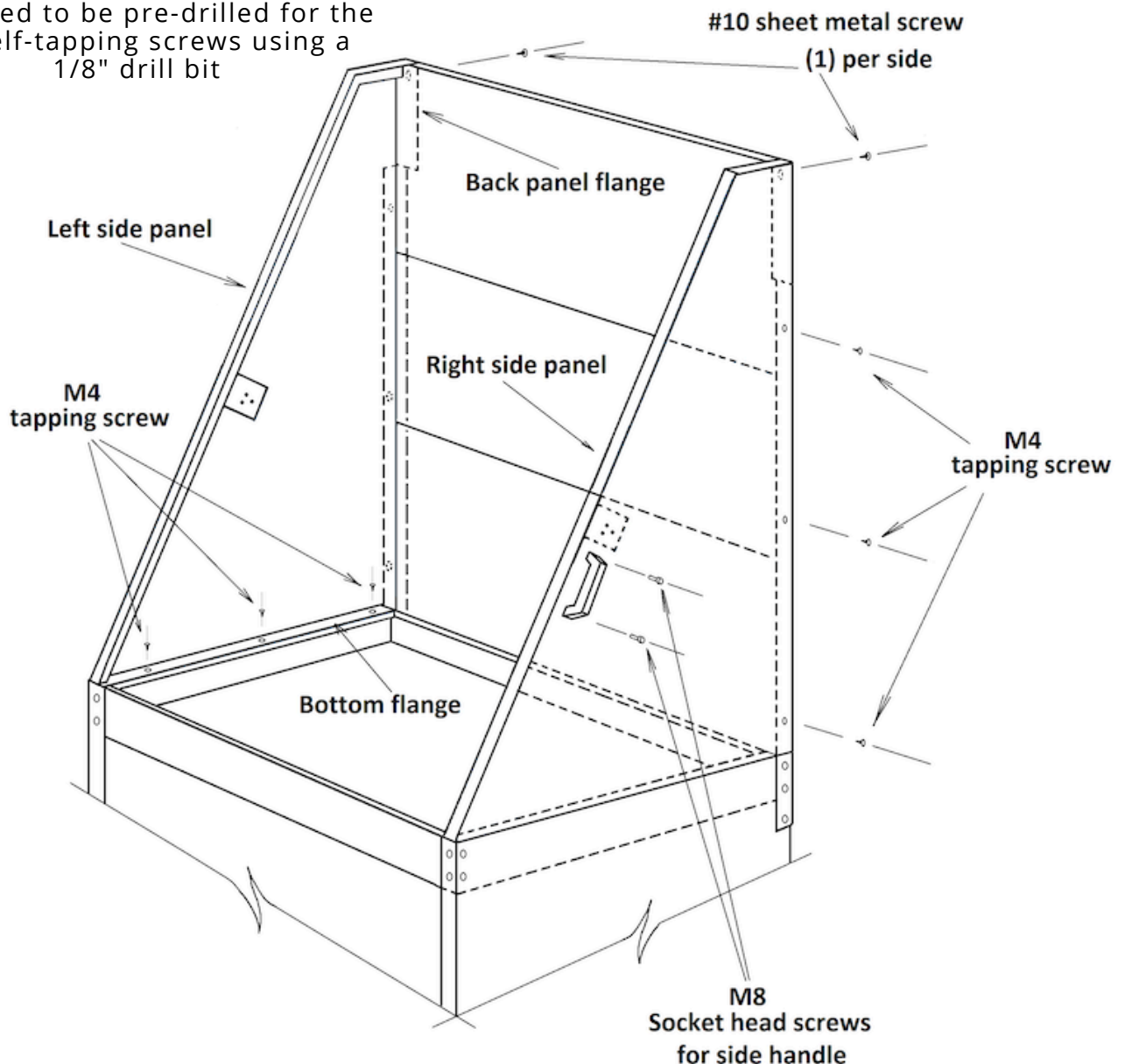


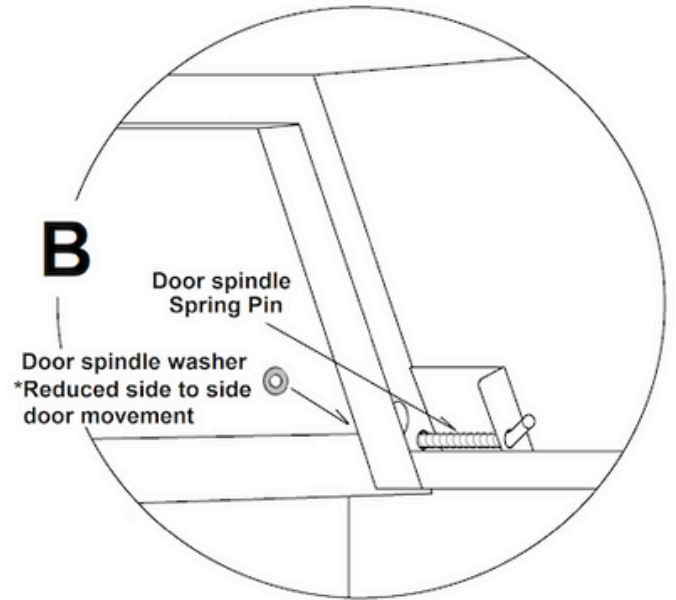
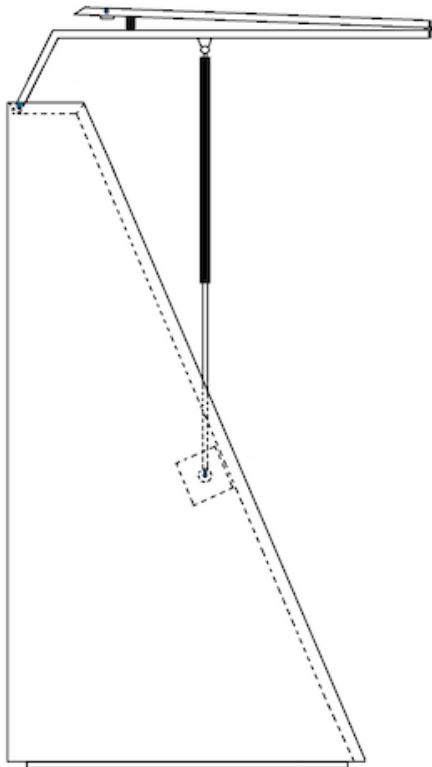


- 1) Locate the the (2) boxes containing the locking top - (1) box contains both side panels, and (1) contains the hinged top with gas shocks
- 2) Starting one side at a time, slide panel in place over the top of the back panel (and shadow board), while simultaneously catching the inside edge of the top pan
- 3) With directional pressure toward the center of the cart and the bottom flange of the side panel snug with the inside edge of the top pan:
 - a) Install the (3) vertical screws on the side of the cart first
 - b) Install the (2) screws in the bottom inside and the (3) in the top of flange area
 - c) Apply pressure on the side wall towards the inside of the cart and install the top screw on the back using #10 sheet metal screw - this inward pressure promotes fit of the hinged top

Helpful Hint:

Some back panel frame angles may need to be pre-drilled for the M4 self-tapping screws using a 1/8" drill bit





4) Install the hinged top assembly

- Locate the lid assist shocks and mount the round brackets on the left and right sides of the panels with the provided screws
- Install spacing washer over both pins of hinged top
- Locate one pin in mounting on left side while supporting the assembly
- While depressing the right-side spring pin, align and release to secure pivot point of top
- Lift the locking top lid panels up and install the remaining ends of the lid assist shocks with fasteners
- Install the handle on the front of the locking top lid

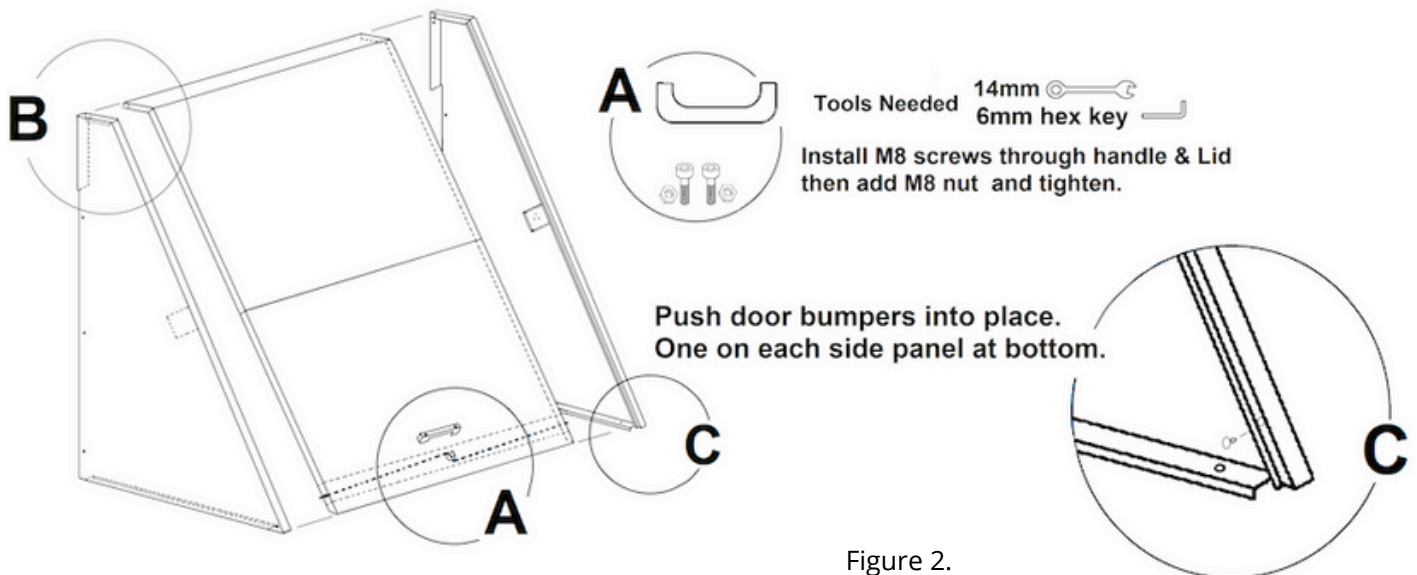


Figure 2.

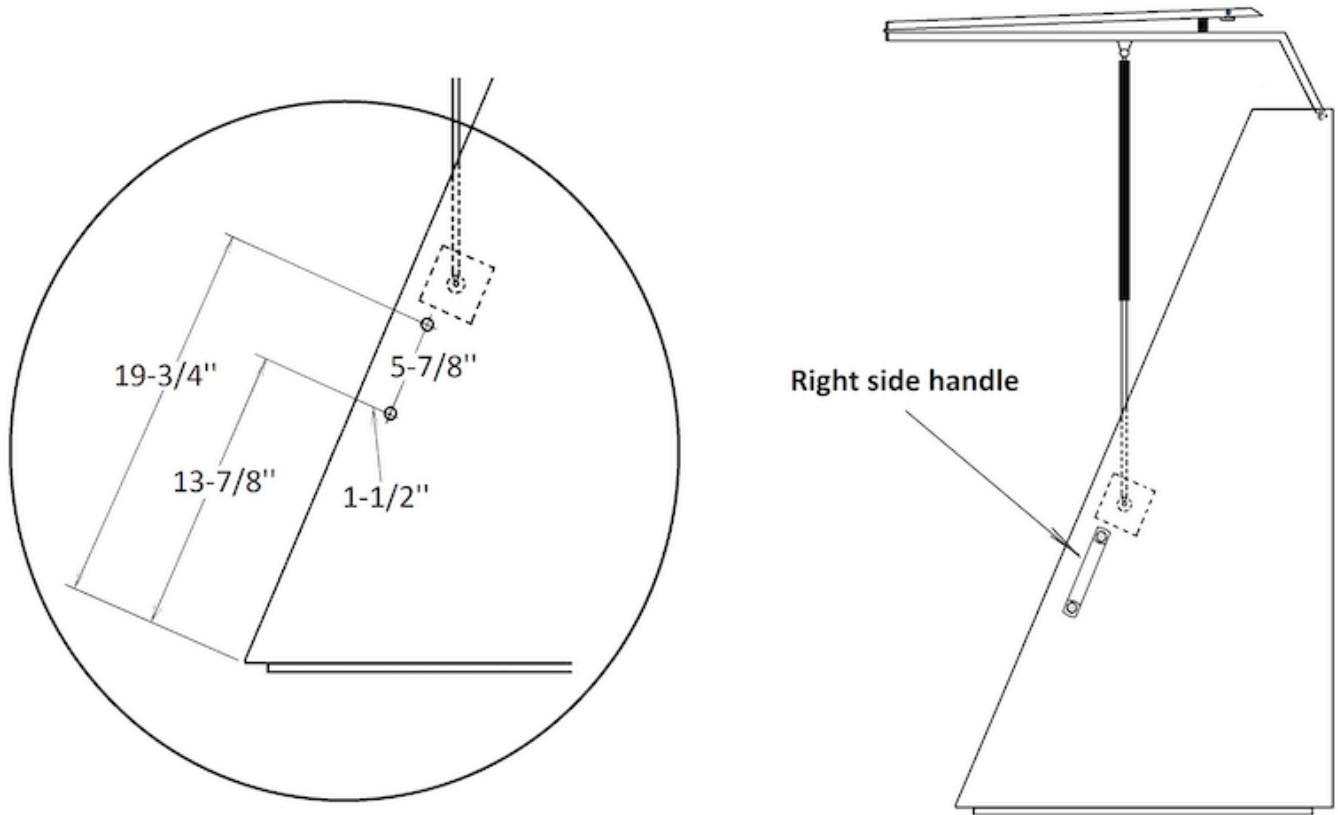


4) Install right side handle

a) If your locking enclosure panel has not been pre-drilled, you will need to drill (2) holes for the handle

b) Following the dimensions below, use a 5/16" drill bit to drill the handle holes

c) Follow installation detail A from Figure 2. to install the handle

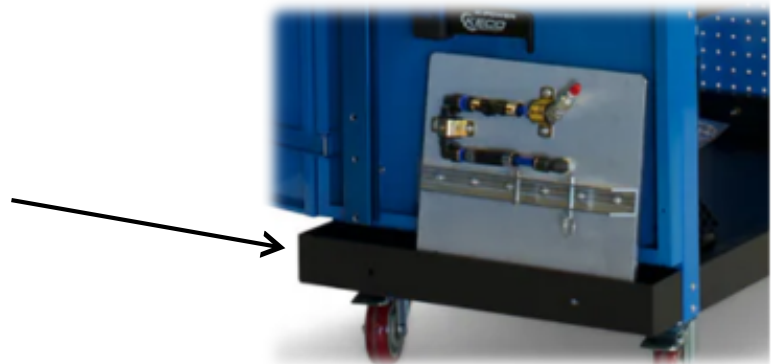


Step 5 Install Bottom Tool Pan

(Premium L2E & Upgrades Only)

- 1) Remove the (2) middle/lower screws near the bottom of the cart
- 2) Place the black tool tray with GPR+ logo facing inward (hidden)
- 3) Use a Phillips screw driver with long enough shaft to reach through the outer hole and engage screws and secure the bottom pan. This will allow the Kwik-Stick to rest, along with the base of the Vacuum Kwik-Stick.

Bottom Tool Pan



Step 6 Install Strap Tool Holders



Important:

If your Premium L2E includes the K-Locker, skip Strap Tool Holder installation until K-Locker is installed.

installation of the KECO strap tool holders to equip your Premium L2E GPR Collision System with the K-Power & K-Power Jr. Lateral Tension Tools, along with the Kwik-Stick Vacuum Power Leverage Bar.

This install is for:

- Premium L2E Systems without a K-Locker or;
- Upgrades from an L2E to the Premium L2E System or;
- Upgrades from legacy Level 2 to the Premium L2E System

Hardware:

- (3) Strap Tool Holders
- (6) Plastic spacers
- (6) 5mm x 35mm Flathead Machine Screws
- (6) M5 Lock Nuts

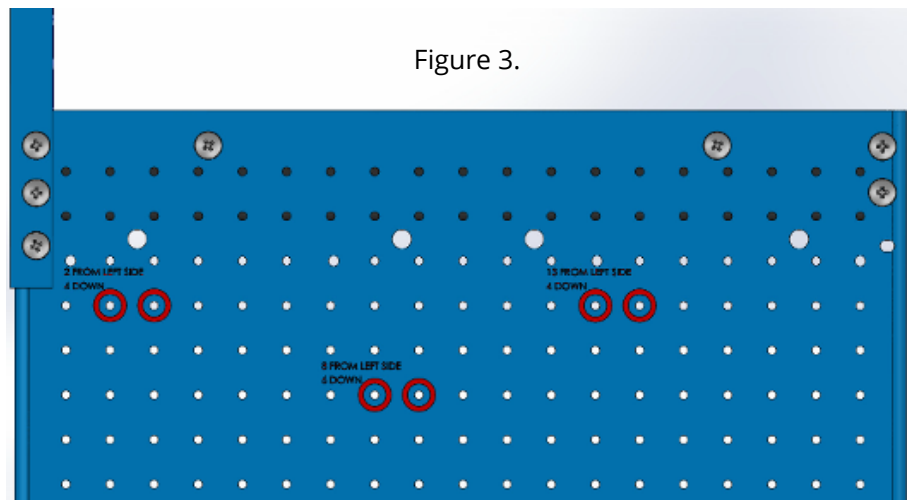


- 1) Tool holders to be installed on the left-side, when facing the collision cart
- 2) If your cart has the handles installed, the first step will be to remove them and set them aside
- 3) Locate/identify holes where tool holders will be installed per Figure 3. (below) - Locations are easily identified by counting columns and rows of holes
- 4) Install holders with strap lever to the right (towards the front of the cart)
- 5) Use the (2) holes on the far-left end of the tool holder
- 6) Place screw through the tool holder
- 7) Add a plastic spacer between the tool holder and cart and push exposed end of the screw through the panel hole
- 8) Add a nut to the back side of the panel (inside the cart)
- 9) Tighten with Phillips head screwdriver while holding the nut on the backside
- 10) It's recommended to leave the first screw loose to allow room for spacer on the second screw.
- 11) Repeat for each tool holder



**Strap Tool Holder
Installation**

Figure 3.





Important:

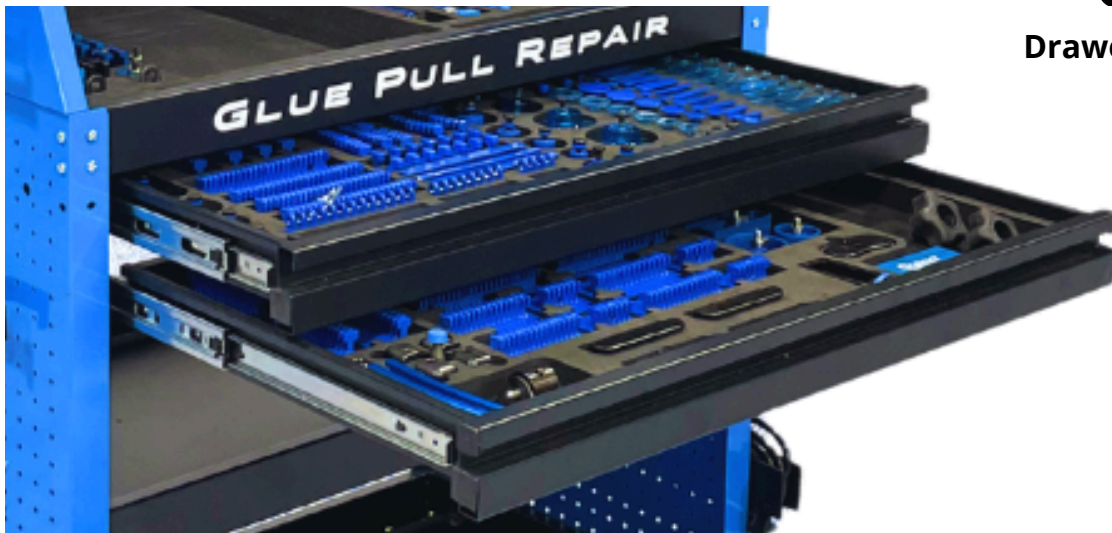
If you have purchased a Premium L2E System or Upgrade **without a Side K-Locker**, move to back to **Step 6 for Strap Tool Holder Install, prior to Drawer Installation**. The strap tool holders will be installed on the side of the cart and this install is not possible when the drawers have been installed.

Step 7 Install Drawers

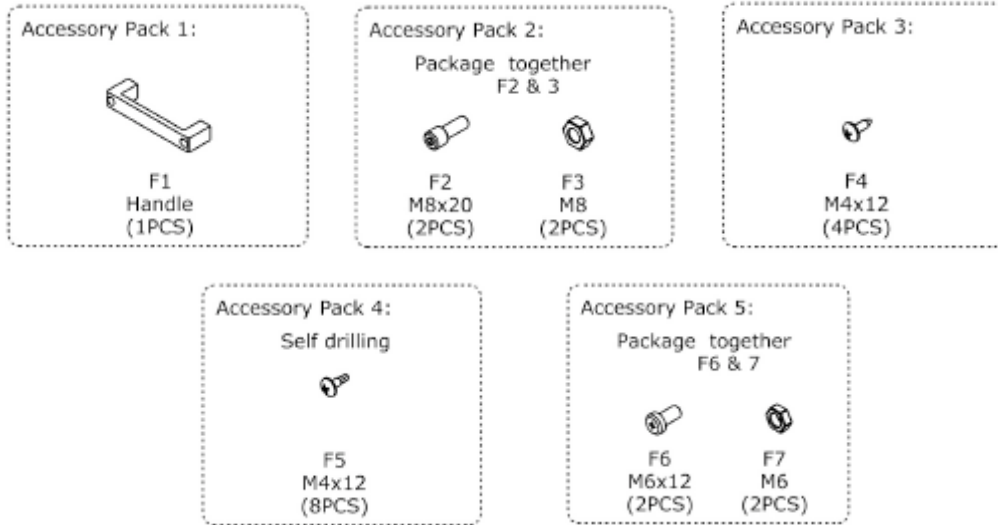
- 1) Locate the side panels for the drawers, along with drawer slides
- 2) With the drawer mounting panel face offset towards the front of the cart, install the (6) fasteners from the outside of the cart - panels are marked with (L)eft and (R)ight when looking at the front of the cart
- 3) Install drawers in cart by aligning drawer slides
- 4) Push drawer all the way to the back to activate the soft close feature
 - a) You may need to do this a few times until slides fully engage for smooth operation



Drawer Installation

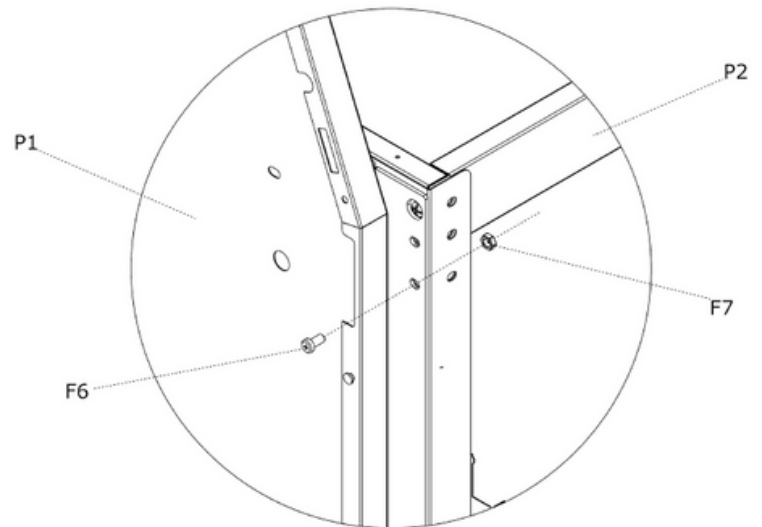


Step 8 Install Side K-Locker



Important:

If the drawers are installed prior to the K-Locker, do not install F6 & F7 screws and nuts.



K-Locker Installation



NOTE:

In preparation for the K-Locker installation, remove the original 9 screws on the side wall per the diagram in Figure 4.

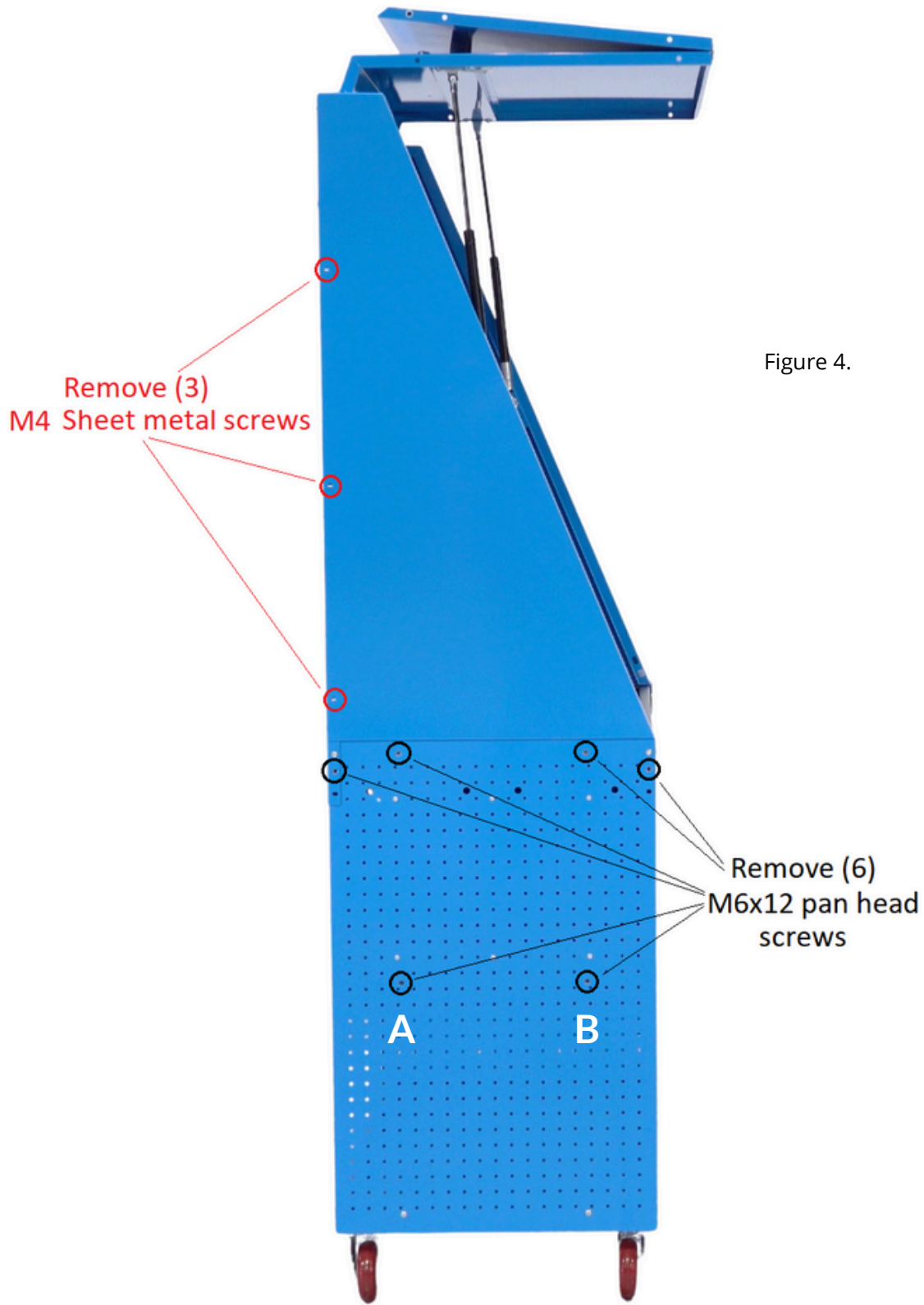
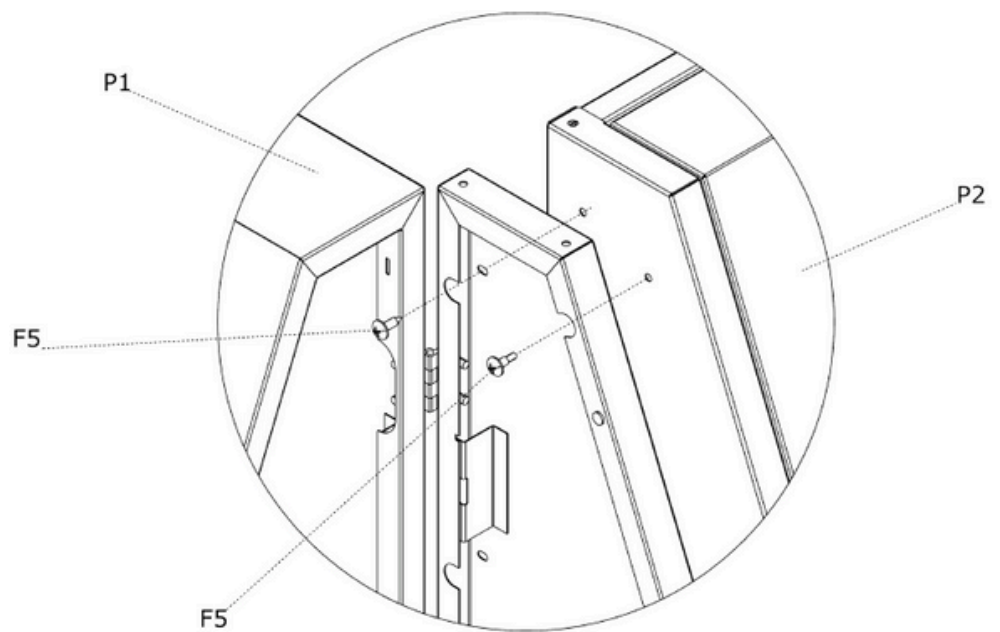
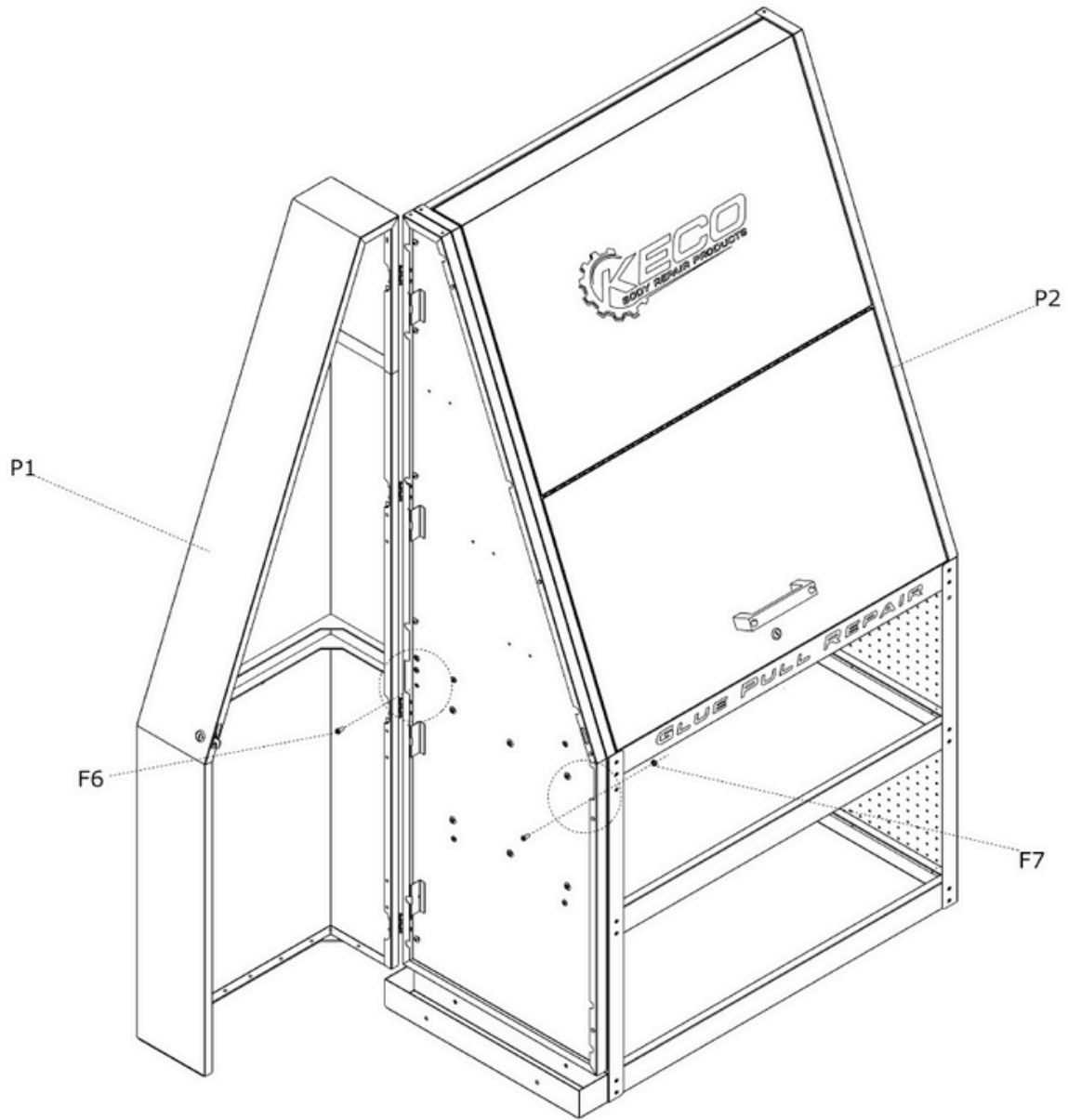
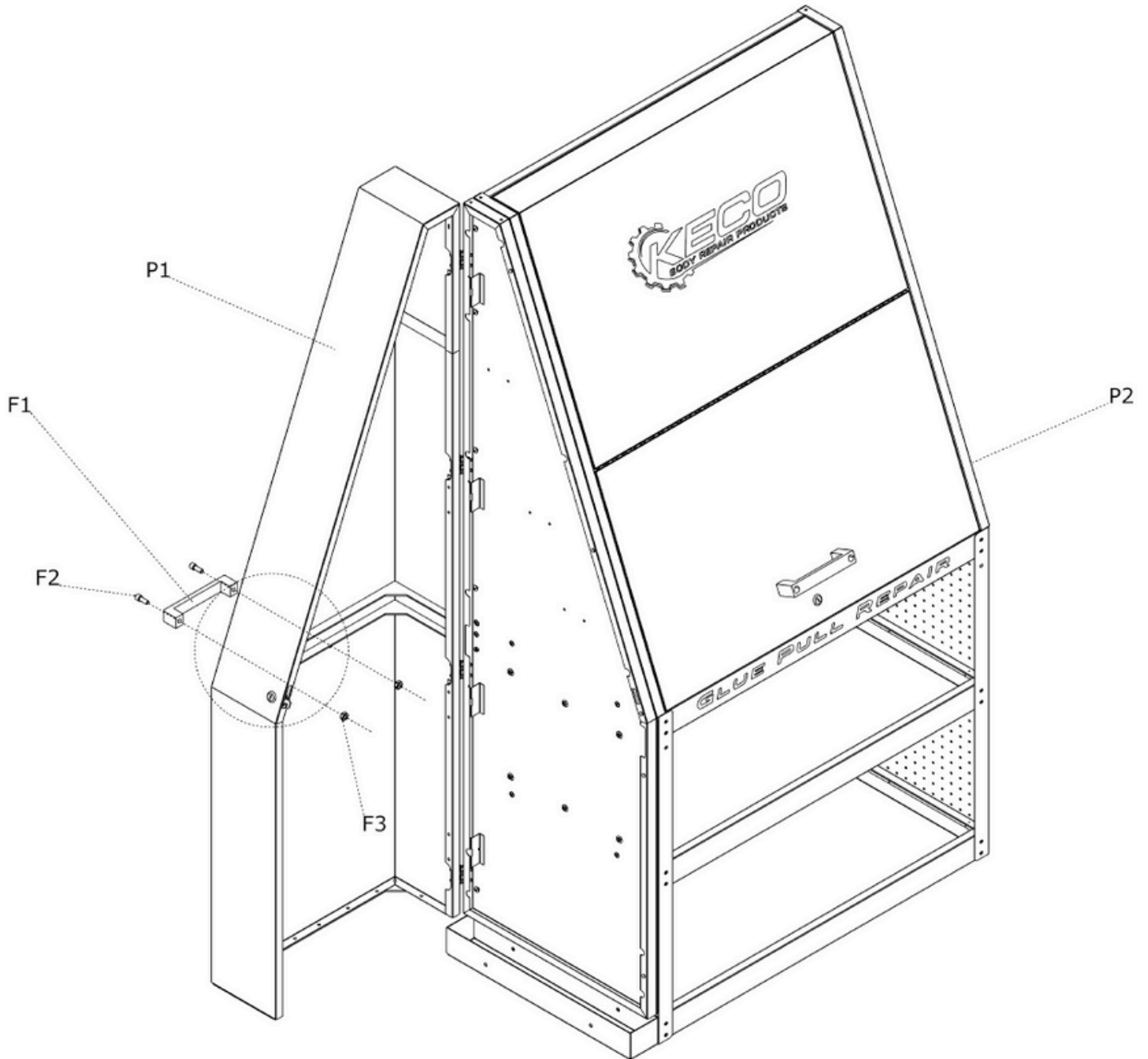


Figure 4.





- 1) Lift locker assembly and align to holes (A) and (B) in Figure 4.
- 2) With locker holes aligned, reinstall screws in the (A) and (B) locations from Figure 4.



Questions?

Call us at 888.532.6822 or e-mail help@keco.com

Follow us for Videos, Product Demonstrations, Actual Repairs, Testimonials, Tips, Tricks & Techniques

